



DESCRIPTION

Microflood fixtures are compact HID floods that offer superior illumination and longevity for sign, landscape, security and façade lighting.



MODELS

- MH100** – Metal Halide (whiteish) 100watt system
- MV100** – Mercury Vapor (cooler white) 100watt system
- HS100** – High Pressure Sodium (yellow) 100watt system

MATERIALS

Housing is seamless die-cast aluminum for strength and durability. Die-cast aluminum adjustable **fitter** allows for directional aiming. **Lens assembly** consists of die-cast aluminum frame and 1/8" (3 mm) thick double strength heat tempered glass.

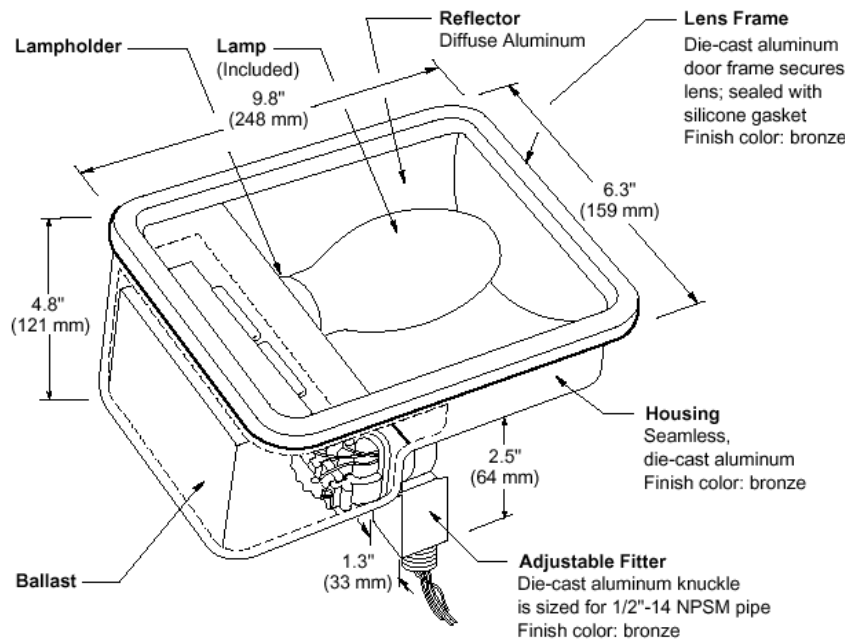
PERFORMANCE

- MH100** – Metal Halide: 9000 lumens
- MV100** – Mercury Vapor: 8500 lumens
- HS100** – High Pressure Sodium: 9500 lumens
- (Par 38 –90w)** Halogen for comparison: 2500 lumens

COLORS

- Bronze (B)
- Others available for additional cost

SPECS



SPEC PAGE
Fixture: _____